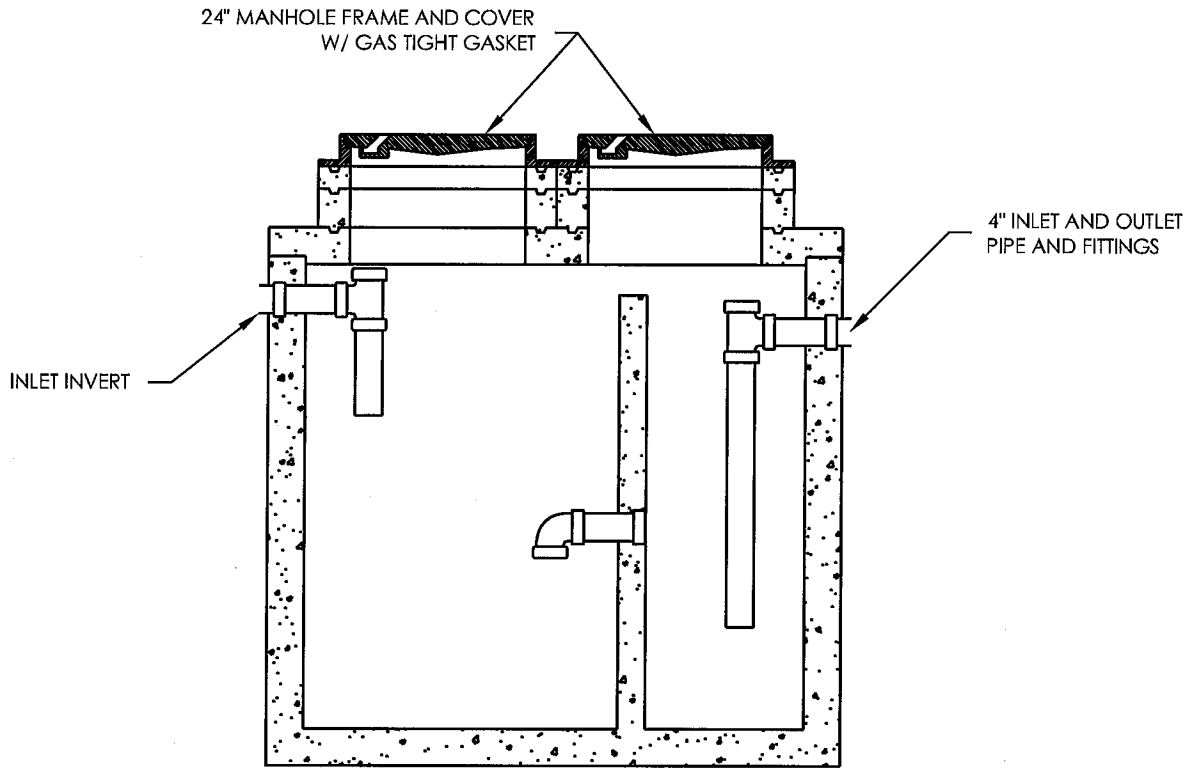
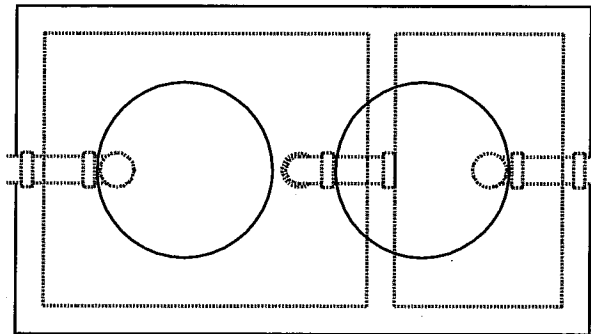


PROFILE VIEW



PLAN VIEW
(COVERS AND RISERS REMOVED)



- 1). LIQUID CAPACITY: PER CURRENT UPC REGULATIONS; 500 GALLONS MINIMUM.
- 2). VAULT DESIGN LOAD: H - 20 TRAFFIC LOADING
- 3). MINIMUM 3" VERTICAL DIFFERENTIAL BETWEEN INLET AND OUTLET.
- 4). APPLY RAMNEK PRIMER AND SEALANT TO BOTH SURFACES AT ALL JOINTS.